

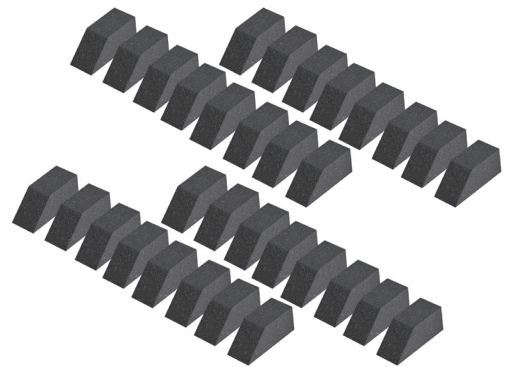
TruTrap™ Broadband Acoustical Panel System



(4) TruTraps™ (3" x 24" x 48")



(2) TubeTak™ Pro



(32) TruSpacers™

RECOMMENDED ADDITIONAL INSTALLATION MATERIALS

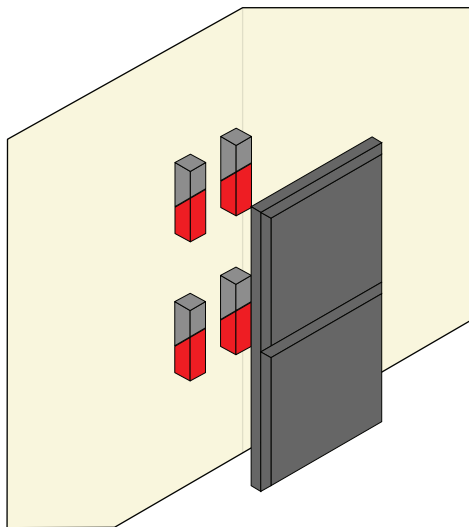
- | | |
|--|---|
| • Caulk-gun (<i>for Tubetak Pro</i>) | • Tape measure |
| • Carpenters Level | • Small ladder (<i>depending on ceiling height</i>) |
| • Pencil | • Straight Edge |

OPTIONAL ADDITIONAL INSTALLATION MATERIALS

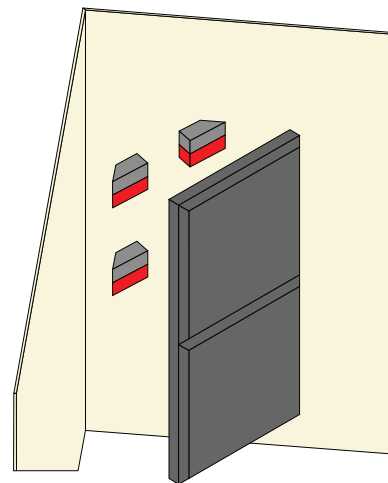
- Foamtak™ Spray Adhesive*

* This system includes **Tubetak Pro™ Adhesive**, which is safe to use on all included products. If you wish to use an alternate adhesive for quicker drying times, **Auralex's Foamtak™ Spray Adhesive** is also available at an additional cost.

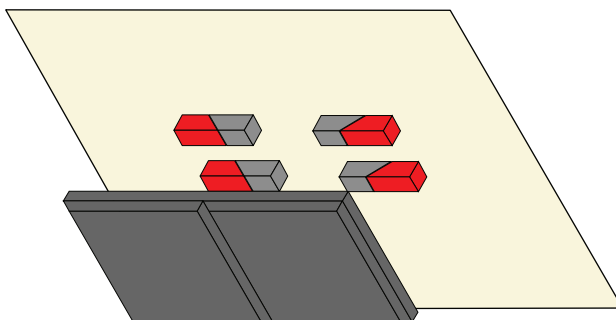
TruTrap™ Placement Options



I - Wall Placement



II - Corner Placement



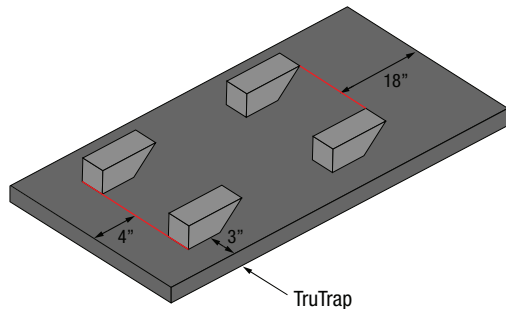
III - Ceiling Placement

- = Blocks attached to TruTrap
- = Blocks attached to wall or ceiling

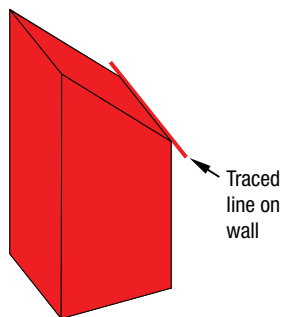
INSTALLATION & USER GUIDE

I - TruTrap™ Wall Installation Guide

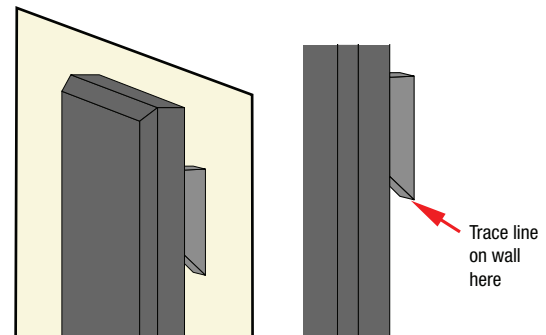
- 1 Attach four **TruSpacers** to the back of the **TruTrap** using **Tubetak Pro**, as pictured. Let sit for at least one hour.



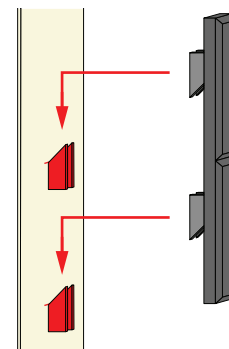
- 3 Remove **TruTrap** and attach one **TruSpacer** to the wall at each marked location, in the orientation shown, using **Tubetak Pro**. Make sure that the **TruSpacer** lines up exactly with the line drawn. Let **TruSpacers** sit overnight.



- 2 Hold **TruTrap** (with **TruSpacers** attached) against the wall in its desired location. Make sure the panel is exactly level. Without moving the **TruTrap**, trace the bottom of each attached **TruSpacer**.

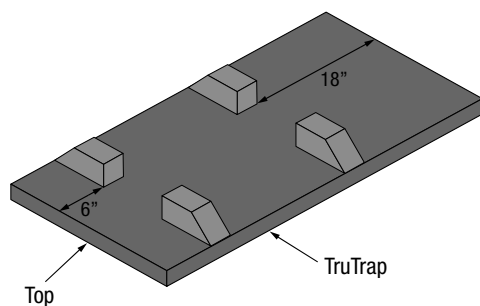


- 4 After adhesive has fully cured overnight, place **TruTrap** in its intended location.



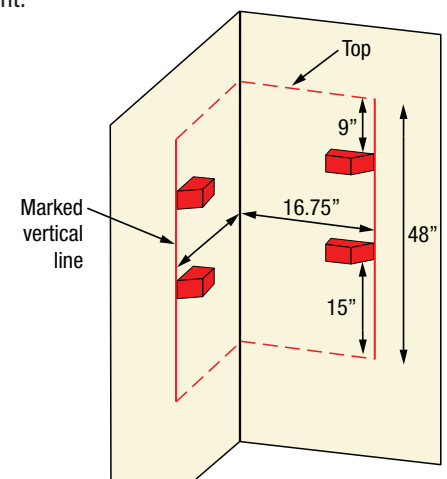
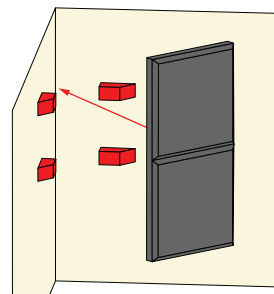
II - TruTrap™ Corner Installation Guide

- 1 Attach four **TruSpacers** to the back of the **TruTrap** with **Tubetak Pro**, as pictured.



- 2 Mark a vertical line on the wall 16.75" from the corner on both sides. Mark a horizontal line at the intended top and bottom of installed **TruTrap**. Attach four **TruSpacers** along vertical lines with **Tubetak Pro**; two 9" down from intended panel top and two 15" up from the intended panel bottom, as pictured. Let set overnight.

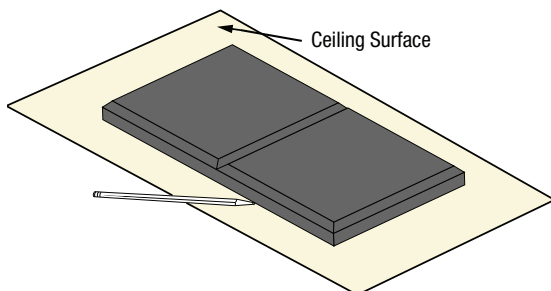
- 3 Set **TruTrap** into place.



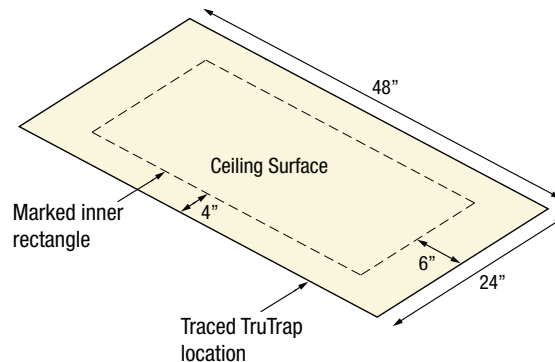
INSTALLATION & USER GUIDE

III - TruTrap™ Ceiling Installation Guide

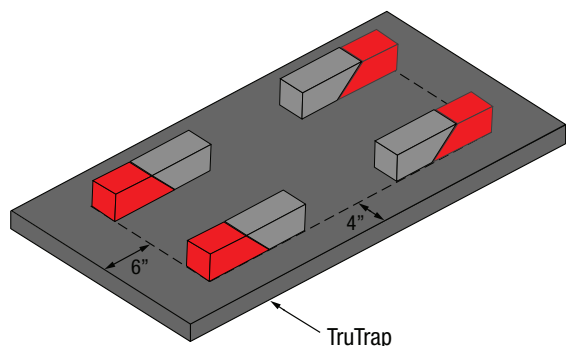
- 1 Hold the **TruTrap** to the ceiling in its desired location. Without moving the **TruTrap**, trace completely around it. This will require two people.



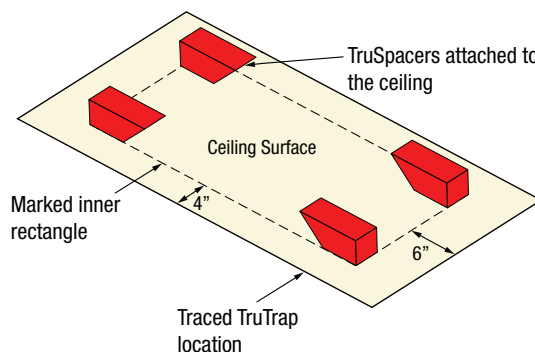
- 2 Using a tape measure and straight edge, draw another rectangle inside the traced **TruTrap** position 6" in from each end and 4" in from each side per the illustration below.



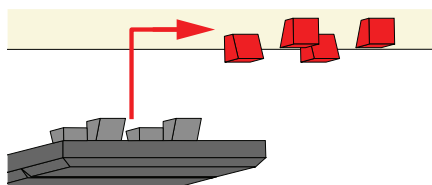
- 3 Layout eight **TruSpacers** on the back of the **TruTrap**, as pictured. Make sure the **TruSpacers** are in the **EXACT** position diagramed. Attach only the **TruSpacers** shown in gray to the **TruTrap** using **Tubetak Pro**.



- 4 Attach the remaining **TruSpacers** to the ceiling, using **Tubetak Pro**, aligned with the previously marked inner rectangle, as pictured.



- 5 After adhesive has cured overnight, slide **TruTrap** into place. Some finesse may be required to position panel correctly.



- = Blocks attached to TruTrap
- = Blocks attached to wall or ceiling

Visit Auralex.com for more information on these and other **Total Sound Control®** products.